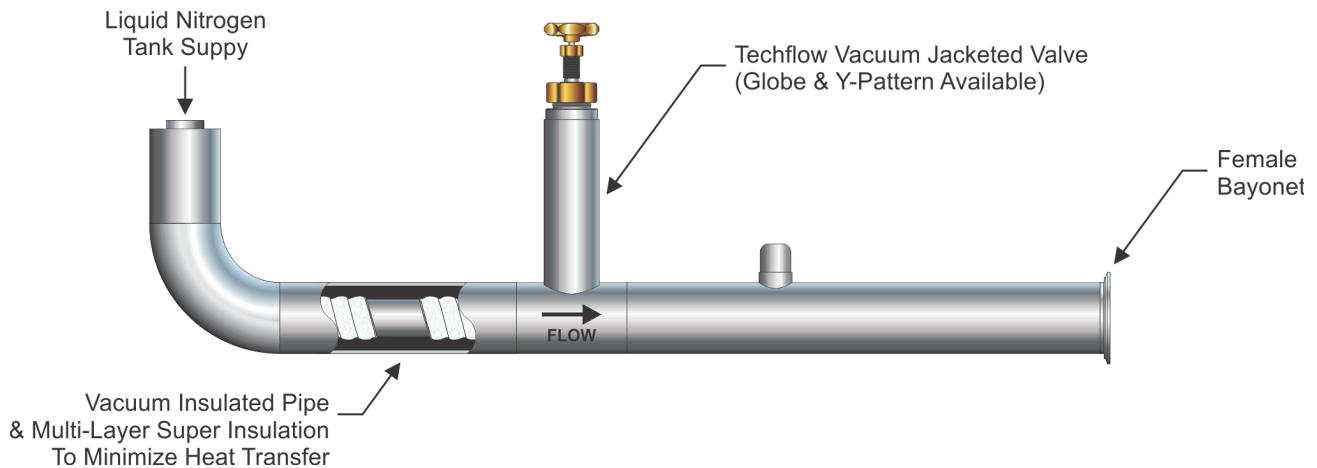


Bulk Tank Withdrawal Valve

Lower Cryogen Losses with a Frost Free Tank Connection

Technifab's Vacuum Insulated Bulk Tank Withdrawal Valve is a low heat leak, high performance, vacuum insulated pipe designed to connect a bulk or micro bulk tank to your cryogenic pipe system.



Benefits

- Provides higher quality liquid at colder temperatures.
- Reduces two-phase flow for better equipment operation.
- Operating cost savings with reduction of cryogen loss.
- Stops ice balls, keeping valve handle free for easier shut-off.
- Reduces maintenance and safety issues.

Options

- Available in all sizes that Techniguard Vacuum Jacketed Pipe can be made.
- Globe or Y-pattern valves available.
- ASME B31.3 Certification upon request.

Technifab manufactures and installs vacuum jacketed pipe, transfer hoses, dewars, valves, and other cryogenic equipment. We also provide the industry leading warranty and service to back it up.

Satisfying customers since 1992 because, *We Know Cryo*®...