

The Linde CB7 series bayonet is designed for Liquid Helium applications, but is also used in nitrogen, oxygen (with proper cleaning and seal material) and argon. Available in four thermal lengths: 3" to interchange with existing Linde installations, 6", 9", and 15" to fit most thermal and physical criteria.

There are many options when it comes to connections for Vacuum Insulated Piping (VIP) systems. The most popular and efficient option are bayonet connections (also known as a Johnston Couplings). These connections must be placed strategically to allow for transportation and installation at your facility.

Our bayonet connection consists of a male and female connector that can be easily installed without any field welding or unique training. The tight-fitting male and female bayonet design provides a long heat path from the outer jacket to the inner pipe, creating a low heat leak connection.

Features:

- Designed for use in vertical and horizontal positions.
 - Male bayonet points down in vertical position.
- Design Temperature of -452 °F (-269 °C/7K): covers LN2, LOX (with proper cleaning), LAR, and LHe.
- MAWP 150 PSIG (10.34 Bar).
- All internal components leak tested to 1×10^{-9} std cc/sec.
- 304/L Stainless Steel Material, Silicone O-Ring.
- Inner lines are tube size and available in 1/2" OD and 3/4". Adapters are available for reducing the 1/2" OD bayonets to 1/4" and 3/8" end connections.

Benefits:

- Fast and easy installation that does not require any field welding.
 - Allows for easy assembly and disassembly.
- No specific installer training required.
- Proven industry standard connection.
- Low heat leak connection.



**CB7 Series
Tube Size**

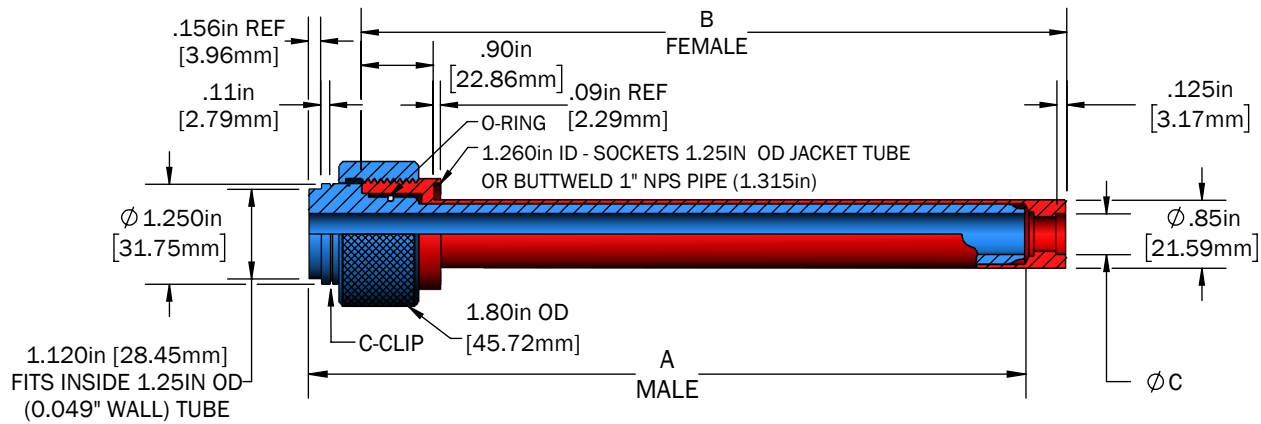


CB7 Male Bayonet



CB7 Female Bayonet

Technical Data - 1/2" OD Tube:



Bayonet Length In (mm)	Dim A In (mm)	Dim B In (mm)	Dim C In (mm)	LN2 Heat Leak-Set BTU/Hr (Watts)
3" (76.2)	3.54 (89.92)	3.38 (85.85)	0.51 (12.95)	21 (6.16)
6" (152.4)	6.54 (166.12)	6.38 (162.05)	0.51 (12.95)	11 (3.22)
9" (228.6)	8.97 (227.84)	8.82 (224.03)	0.51 (12.95)	7.2 (2.11)
15" (381.0)	14.97(380.24)	14.82 (376.43)	0.51 (12.95)	4.3 (1.26)

Part Numbers:

Select the Part Number for the Linde CB7 Bayonet, O-Ring, or Cover, you would like to order.

Linde CB7 Bayonet	Male	Female	O-Ring	Female Bayonet Cap Brass	Dust Cover for Male PVC	Pressure Cover for Male SST	Pressure Cover for Female SST
1/2" OD x 3"	CP00727	CP00728	CP00740	CP05744	CP05745	CP05748	CP05751
1/2" OD x 6"	CP00729	CP00730	CP00740	CP05744	CP05746	CP05749	CP05752
1/2" OD x 9"	CP00731	CP00732	CP00740	CP05744	CP05747	CP05750	CP05753
1/2" OD x 15"	CP00733	CP00734	CP00740	CP05744	CP05748		
3/4" OD x 9"	CP05740	CP05741	CP00740				
3/4" OD x 15"	CP05742	CP05743	CP00740				